



Bullet shape die cast aluminum flood with 10 Watt LED Light Engine. Comes with flood reflector installed.

Color: Bronze

Weight: 3.5 lbs

<b>Project:</b>	<b>Type:</b>
<b>Prepared By:</b>	<b>Date:</b>

Driver Info		LED Info	
Type:	Constant Current	Watts:	10W
120V:	0.21A	Color Temp:	Amber
208V:	0.14A	Color Accuracy:	N/A
240V:	0.12A	L70 Lifespan:	100000
277V:	N/A	Lumens:	92
Input Watts:	10W	Efficacy:	10 LPW
Efficiency:	N/A		

## Technical Specifications

### Other

#### AMBER LED:

HBLED10 with amber LED globe

#### Patents:

LFLOOD thermal Management technology is protected under utility patents pending in the U.S., Canada and China.

#### Warranty:

RAB warrants that our LED products will be free from defects in materials and workmanship for a period of five (5) years from the date of delivery to the end user, including coverage of light output, color stability, driver performance and fixture finish.

#### Country of Origin:

Designed by RAB in New Jersey and assembled in the USA by RAB's IBEW Local 3 workers.

#### Buy American Act Compliant:

This product is a COTS item manufactured in the United States, and is compliant with the Buy American Act.

#### Recovery Act (ARRA) Compliant:

This product complies with the 52.225-21 "Required Use of American Iron, Steel, and Manufactured Goods-- Buy American Act-- Construction Materials (October 2010).

#### Trade Agreements Act Compliant:

This product is a COTS item manufactured in the United States, and is compliant with the Trade Agreements Act.

#### GSA Schedule:

Suitable in accordance with FAR Subpart 25.4.

### Listings

#### UL Listing:

Suitable for wet locations. Suitable for ground mounting.

#### IESNA LM-79 & IESNA LM-80 Testing:

RAB LED luminaires have been tested by an independent laboratory in accordance with IESNA LM-79 and 80

### LED Characteristics

#### Lifespan:

100,000-hour LED lifespan based on IES LM-80 results and TM-21 calculations.

#### Color Stability:

LED color temperature is warrantied to shift no more than 200K in CCT over a 5 year period.

### Electrical

#### Driver:

Multi-chip 10W high output long life LED Driver Constant Current, Class II, 120V-240V, 47/63 Hz, 350mA.

#### Surge Protection:

1KV

### Construction

#### Thermal Management:

Cast aluminum patent pending Thermal Management system for optimal heat sinking. The LFLOOD is designed for cool operation, most efficient output and maximum LED life by minimizing LED junction temperature.

#### Swivels:

Fully adjustable with sure-grip locks. 1/2" NPS threaded arm with serrated locking swivel fits all standard mounting covers. Color matched EZ Grip lock nuts. Stainless steel screw.

### Housing:

Precision die cast aluminum housing.

### Gaskets:

High Temperature Silicone.

### Green Technology:

Mercury and UV free. RoHS compliant components. Polyester powder coat finish formulated without the use of VOC or toxic heavy metals.

### C>Cold Weather Starting:

The minimum starting temperature is -40°F/-40°C.

### Maximum Ambient Temperature:

Suitable for use in 40°C (104°F) ambient temperatures

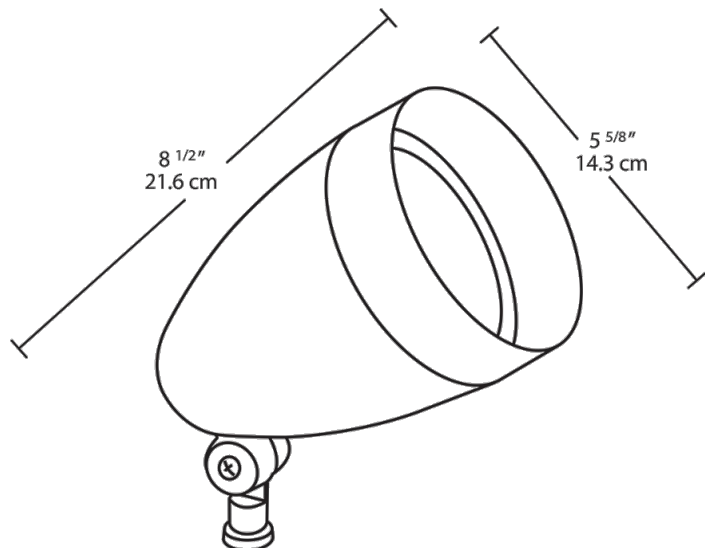
### Finish:

Our environmentally friendly polyester powder coatings are formulated for high-durability and long-lasting color, and contains no VOC or toxic heavy metals.

# HBLED10A AMB



## Dimensions



## Features

- Ultra efficient LED and optical design
- Rugged die cast aluminum housing with powder coat finish
- Glare shield for effective light control
- Weatherproof high temperature silicone gaskets
- 5-year warranty

## Ordering Matrix

Family	Watts	Color Temp	Finish	LED Color
HBLED	10 = 10W	Blank = 5000K (Cool) Y = 3000K (Warm)	A = Bronze W = White B = Black VG = Verde Green	Blank = Standard AMB = Amber